



- Made from SS316 using special precision casting methods.
- These fittings are offered in excellent brush as well as mirror polished finishes.
- The design of these fittings offers high on side adjustment possibilities.
- Special mounting possibilities and to add to all low cost.
- These fin plates can be very easily used in applications using smaller panels on fin plate.



FT2



FT3

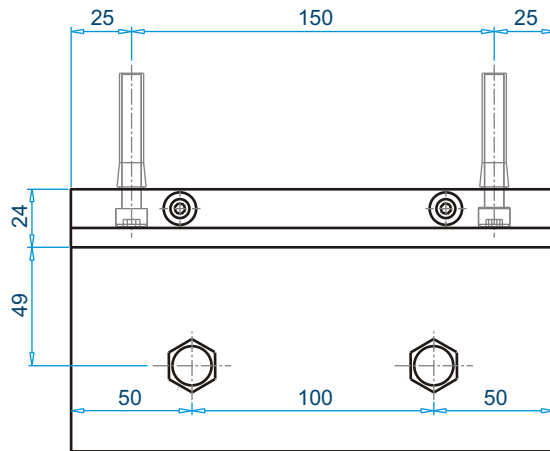
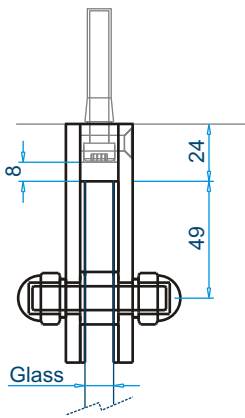
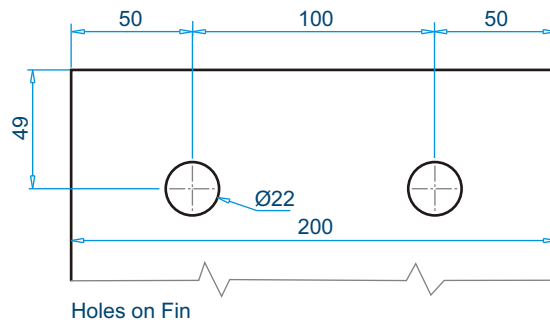


FT4

FT2

Fin Top Plain 200 ■
SS316 ■

Ord Nr. : M30172



Accessories to be ordered separately.

Accessories



Allen Bolt M8X60
Ord Nr. M11401



Fisher Anchor SLM 8N
Ord Nr. M10075

Tools



18X19



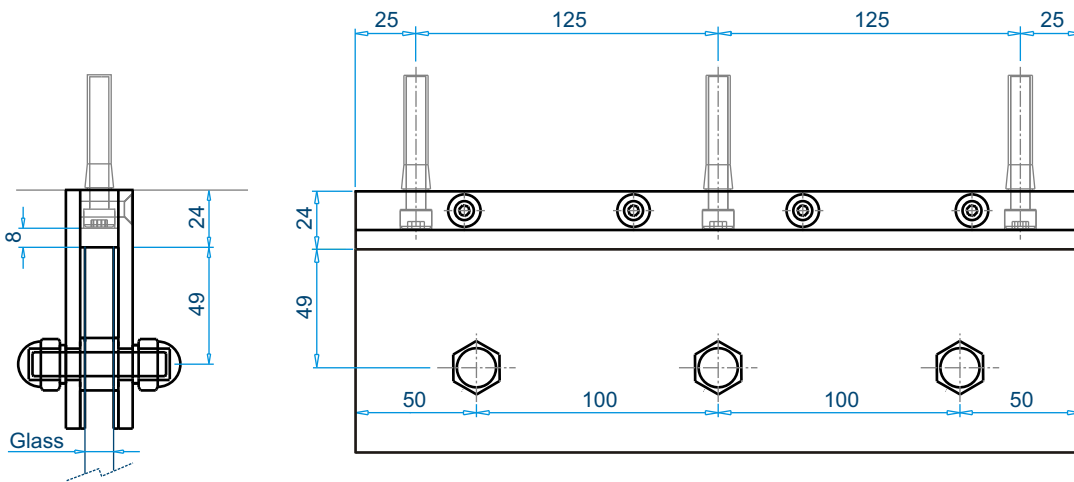
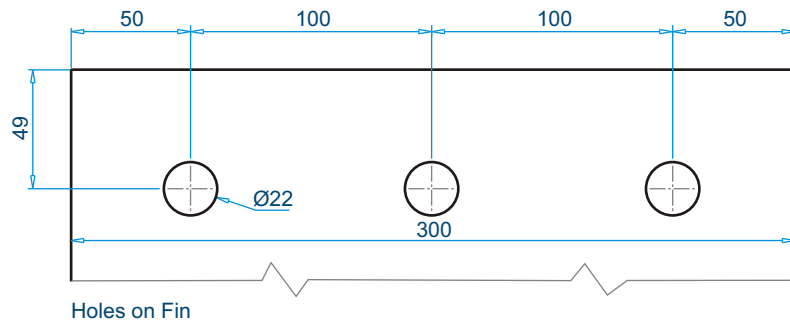
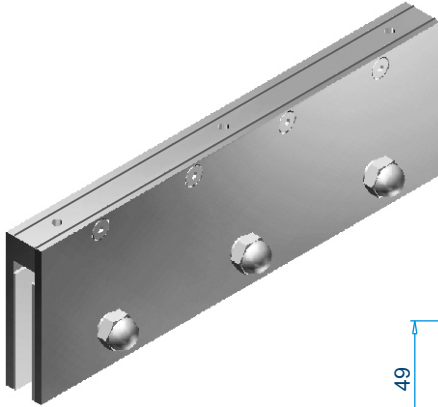
ALLEN 5

FT3

Fin Top Plain 300 ■

SS316 ■

Ord Nr. : M30170



Accessories to be ordered separately.

Accessories



Allen Bolt M8X60
Ord Nr. M11401



Fisher Anchor SLM 8N
Ord Nr. M10075

Tools



18X19

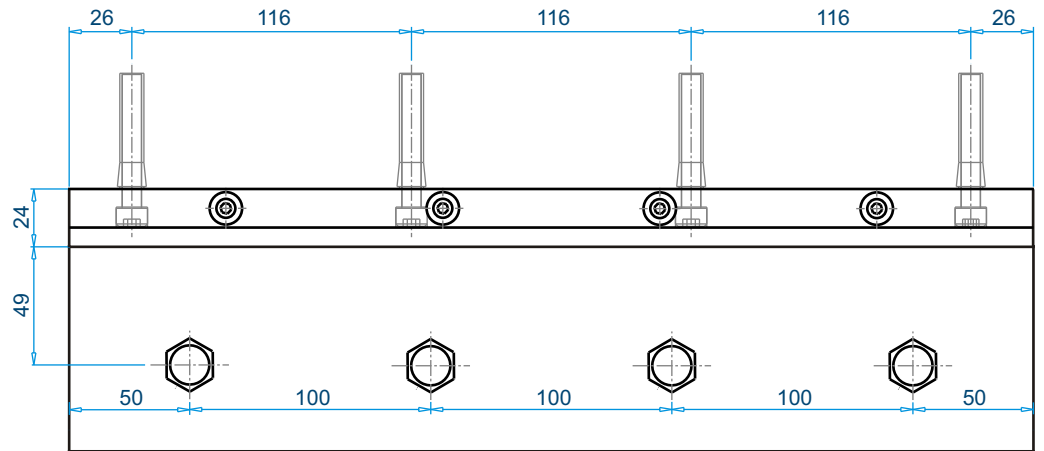
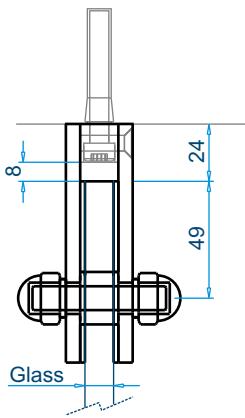
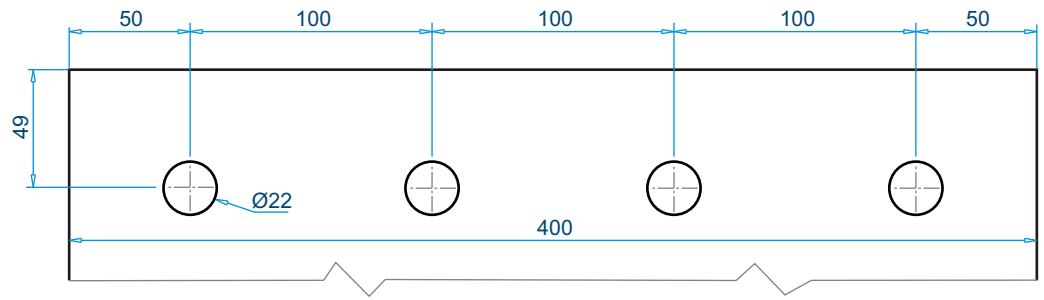
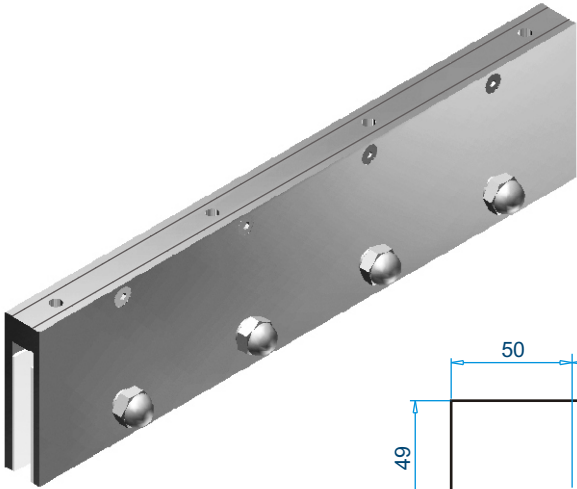


ALLEN 5

FT4

Fin Top Plain 400 ■
SS316 ■

Ord Nr. : M30171



Accessories to be ordered separately.

Accessories



Allen Bolt M8X60
Ord Nr. M11401



Fisher Anchor SLM 8N
Ord Nr. M10075

Tools



18X19



ALLEN 5